



Velocity Transducer CV 211 EEx d II C T6

CHARACTERISTICS

- Vibration Monitoring for low frequencies
- Hydraulic and steam turbine application
- Vertical to horizontal operation
- Self-generating transducer
- Fully Sealed
- Axial or radial cable entry
- Certificate PTB 03 ATEX 1026



GENERAL

The low-frequency measuring system – velocity transducer CV 211 EEx – is suited to the special requirements of hydraulic turbo-machinery. Hydro machines operate generally at low speed, between 60 and 1000 rpm.

The velocity transducer CV 211 is principally recommended for vibration measurements in this frequency range (1 Hz to 20 Hz), when accelerometers cannot give entire satisfaction. A good sensitivity and rugged design makes this velocity transducer suitable for all types of industrial low-speed machinery. A stainless steel case permits use in damp and corrosive environment. The transducer should be fitted with its cable optional protected by a flexible metal sheathe for very harsh industrial environments.

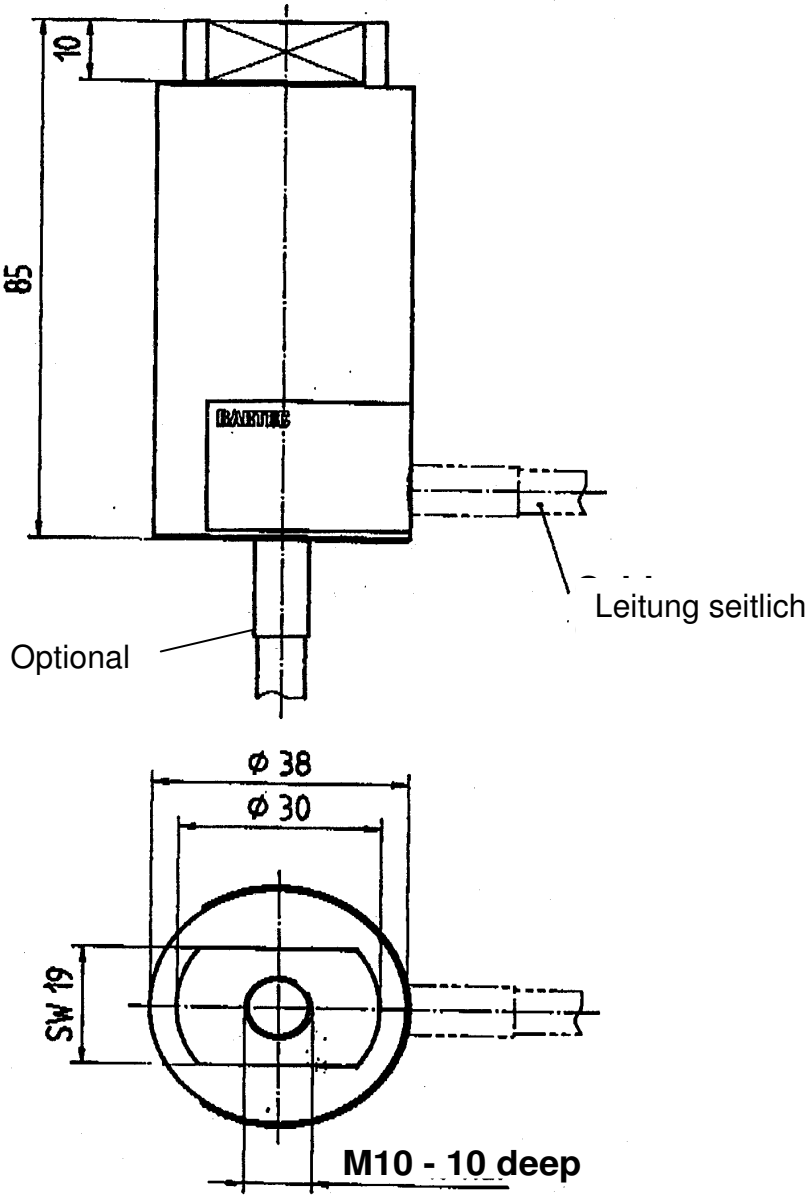
FUNCTIONAL DISCRIPTION

The sensing element of the transducer is a coil moving around a permanent magnet, which produces a voltage directly proportional to the vibration velocity. The signal is generated without external power source.

TECHNICAL DATA

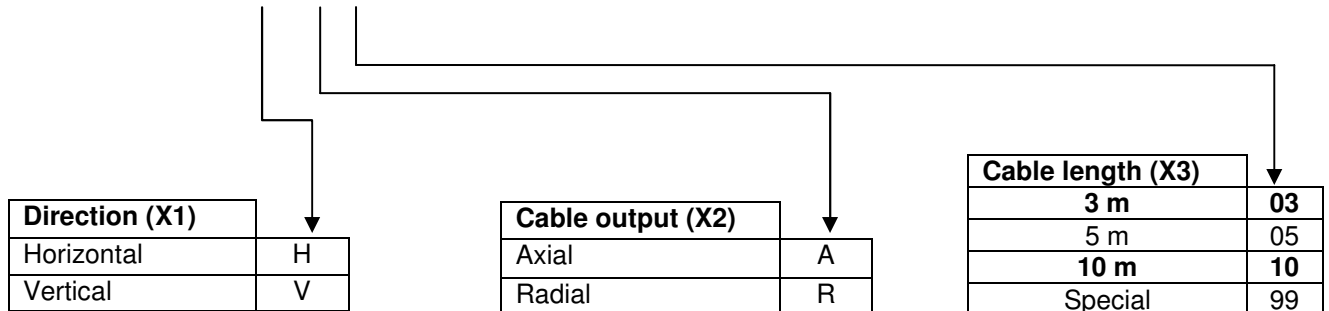
Electromagnetic principle:	no external power source required
Sensitive direction:	horizontal or vertical (please take into account when ordering)
Signal transmission:	2-wire system isolated from casing, voltage output
Frequency Response:	10 ... 1000 Hz 3 ... 1000 Hz with extern correction circuit
Nominal sensitivity:	23 mV/mm/s +/- 10%
Transverse sensitivity	< 5%
Coil resistance:	300 Ohms
Maximum displacement:	2 mm p - p
Nominal resonant frequency	8 Hz +/- 0,5 Hz
Operating temperature range	- 65 to + 120 °C (case) - 55 to + 105 °C (Lead)
Protection Class	IP 66 according to IEC 529 standard (DIN 40050)
Housing material:	Stainless Steel casing 1.405
Dimensions:	85 X 38 mm
Weight:	approx. 700 grams (without cable)
Mounting:	Mounting base M10 X 10mm tapped
Connection:	type oil flex-100 CY 2 x 0,5mm ² blue + black - shield isolated at casing length: 10m (standard)

Drawing



Ordering Information

VMD -CV211-EEx-X1-X2-X3



Beispiel: VMD-CV211-EX-H-A-10

CV 211
Direction: Horizontal, Axial
Ex-Version,
10 m Cable

Sales Offices

Vibro-Meter has offices in over 30 countries. The complete list can be found on our webpage www.vibro-meter.com



Your local representative

Vibro-Meter GmbH
Kaiserleistraße 51
D-63067 Offenbach am Main
Deutschland / Germany

Tel.+49 (0) 69 9799050
Fax +49 (0) 6997990526
E-Mail: info@vibro-meter.de
www.vibro-meter.de

