

## Vibro-Meter Velocity transducer

### CHARACTERISTICS

---

- Vibration Monitoring for low frequencies
- Hydraulic and steam turbine application
- Vertical or horizontal operation
- Self-generating transducer
- Fully Sealed
- Connector with radial cable entry



### GENERAL

---

The low-frequency measuring system – velocity transducer CV 211 is suited to the special requirements of hydraulic turbo-machinery. Hydro machines operate generally at low speed, between 60 and 1000 rpm. The velocity transducer CV 211 is principally recommended for vibration measurements in this frequency range (1 Hz to 20 Hz), when accelerometers cannot give entire satisfaction.

A good sensitivity and rugged design makes this velocity transducer suitable for all types of industrial low-speed machinery. A stainless-steel case permits use in damp and corrosive environment. The transducer should be fitted with its cable optional protected by a flexible metal sheathe for very harsh industrial environments.

## FUNCTIONAL DISCRIPTION

---

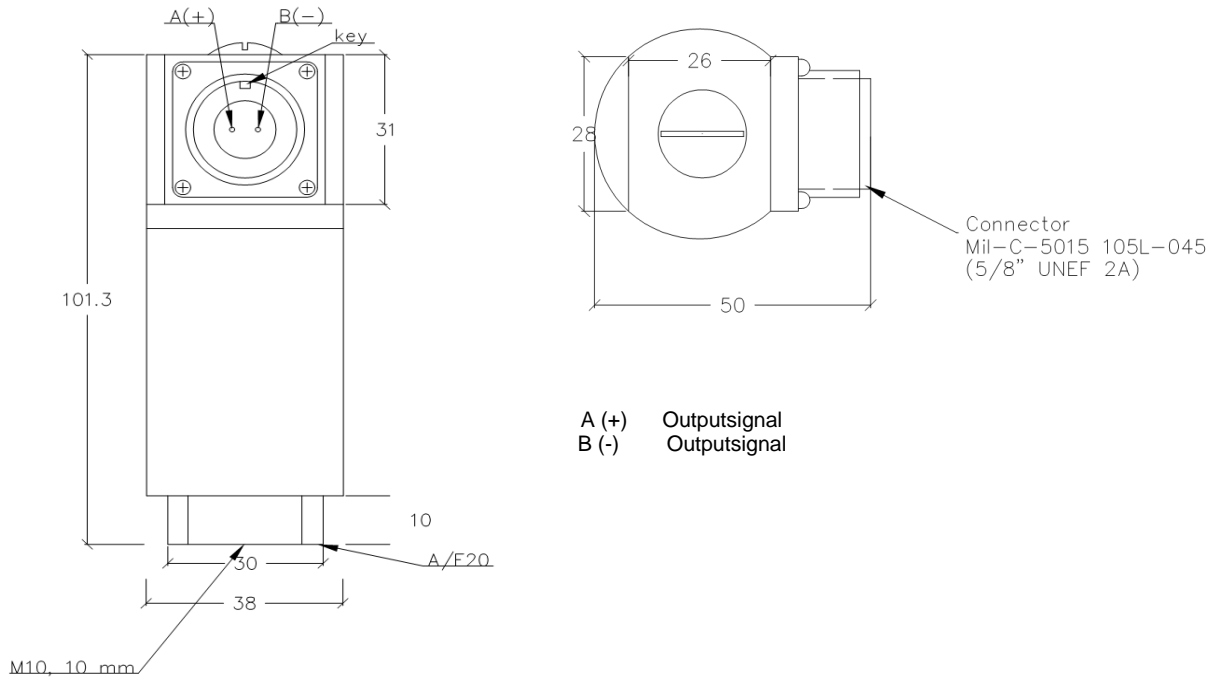
The sensing element of the transducer is a coil moving around a permanent magnet, which produces a voltage directly proportional to the vibration velocity. The signal is generated without external power source.

## TECHNICAL DATA

---

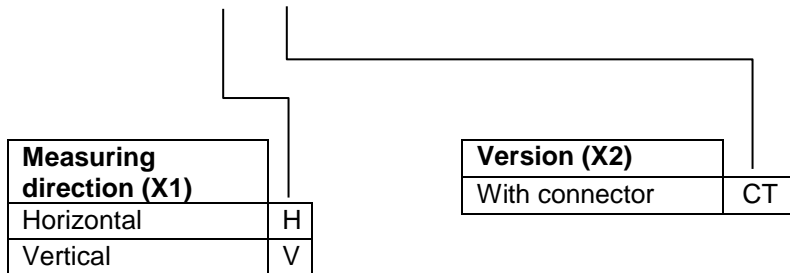
Electromagnetic principle	no external power source required
Measuring Direction	Horizontal or vertical (please take into account when ordering)
Signal transmission	2-wire system insulated from casing, voltage output
Frequency Response	10 ... 1000 Hz 3 ... 1000 Hz with external correction circuit
Nominal sensitivity	23 mV/mm/s RMS +/- 10 %
Transverse sensitivity	< 5 %
Coil resistance	300 Ohms Coil // 1500 Ohm Damping Resistor
Maximum displacement	2 mm p - p
Nominal resonant frequency	8 Hz +/- 0,5 Hz
Operating temperature range	- 25 to + 80°C
Protection Class	IP 66 according to IEC 529 standard (DIN 40050)
Housing material	Stainless Steel casing 1.4305
Dimensions	101 x 38 mm
Weight	approx. 600 grams
Mounting	Mounting base M10 x 10 mm tapped SW 19
Connector	2 Pin MIL - Connector 5015 (Sensor head)
Mating Connector	MS-Connector, 2 Pin, with Strain relief, straight Version ACS3106E-10SL-04S

## DRAWING



## ORDERING INFORMATION

VMD – CV211 – X1 – X2



### Sales Offices

The complete list can be found on our webpage  
[www.meggitt.com](http://www.meggitt.com)



### Your local representative

### Meggitt GmbH

Kaiserleistraße 51  
63067 Offenbach am Main  
Deutschland / Germany

Tel. +49 (0) 69 9799050  
Fax +49 (0) 69 97990526  
E-Mail: [info@de.meggitt.com](mailto:info@de.meggitt.com)  
[www.meggitt.de](http://www.meggitt.de)

**MEGGITT**  
smart engineering for  
extreme environments