

## Vibro-Meter Vibration Switch CVS 100

### CHARACTERISTICS

---

- Vibration velocity
- Suitable for Universal use  
can be mounted: Horizontal, Vertical  
or at any other angle
- Housing Aluminum or Stainless Steel  
ATEX approved.
- Analog Output 4...+20mA
- RAW- Signal output 100 mV/g
- 1 or 2 Relays



### GENERAL

---

The vibration switch CVS 100 allows a cost effective realization of vibration monitoring for stand-alone machines and auxiliary aggregates (e.g. fans, pumps, centrifuges, mills, gears, etc.), on whose functions important Installations or processes are depending. It allows, among other things, the monitoring according to DIN ISO 10816 Part 1-7.

Utilized for this are the Vibrations of main machine parts (pillow blocks, foundations, casings) converted by rugged acceleration pick ups in electrical signals and processed and assessed with integrated electronics.

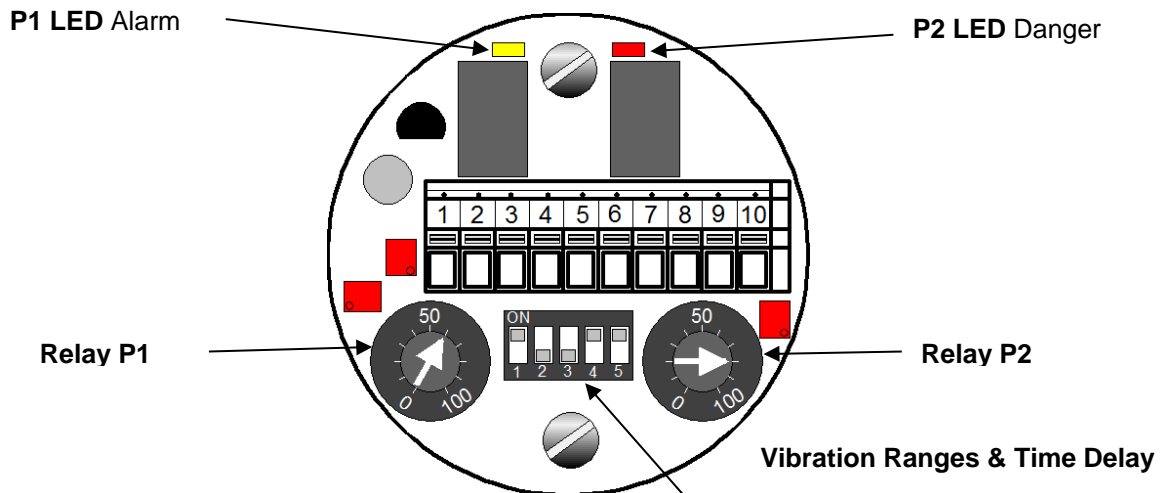
The signal- and processing electronics is fitted together with the acceleration sensor into aluminum housing, fitted directly onto the machine to be observed.

One or two adjustable level detectors with selectable response delay is allowing the signalization of „Alarm “and „Danger “via appropriate dry contacts of assigned relays.

## FUNCTIONAL DESCRIPTION

The signal of the internal accelerometer is led via an amplifier and integrator as well as a bandpass filter and rectifier for further processing. The measuring ranges are selectable by dip switch. The analogue signal available here is calibrated as the effective value of the vibration velocity (mm/s effective). The signal acts on two adjustable level detectors and is available as an analogue value in the form of 4...+20mA. A raw signal of 100mV/g is also available on the terminal strip. The changeover contacts of the associated relay enable the setting up of signal circuits (Alarm / Danger).

## MECHANICAL DIAGRAM



S1-1: "Alarm"; ON = 1 s, OFF = 5 s

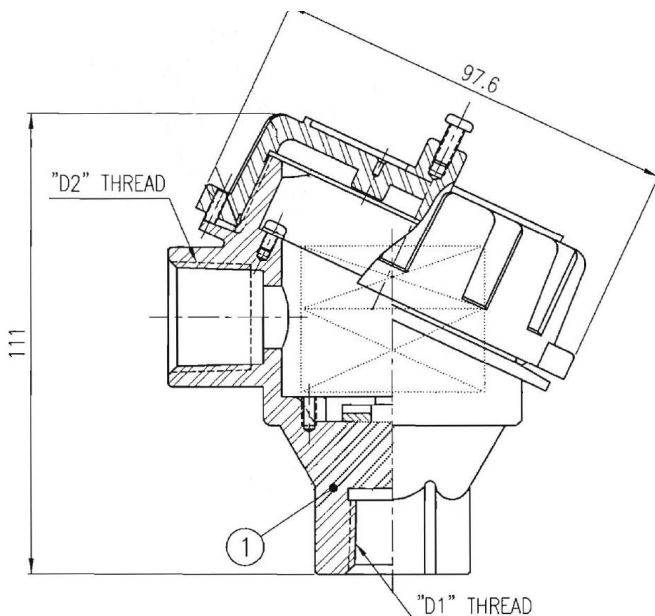
S1-2: ON = 10 mm/sec RMS (S1-3, S1-4 = OFF)

S1-3: ON = 20 mm/sec RMS (S1-2, S1-4 = OFF)

S1-4: ON = 50 mm/sec RMS (S1-2, S1-3 = OFF)

S1-5: "Danger"; ON = 1 s, OFF = 5 s

### Casing dimensions



### Terminal assignment

1	PS	24 VDC	
2		0 VDC	
3	Relay K1	NC	
4		COM	
5		NO	
6	Relay K2	NC	
7		COM	
8		NO	
9	Analog output 4-20 mA		
10	RAW Signal 100 mV/g		

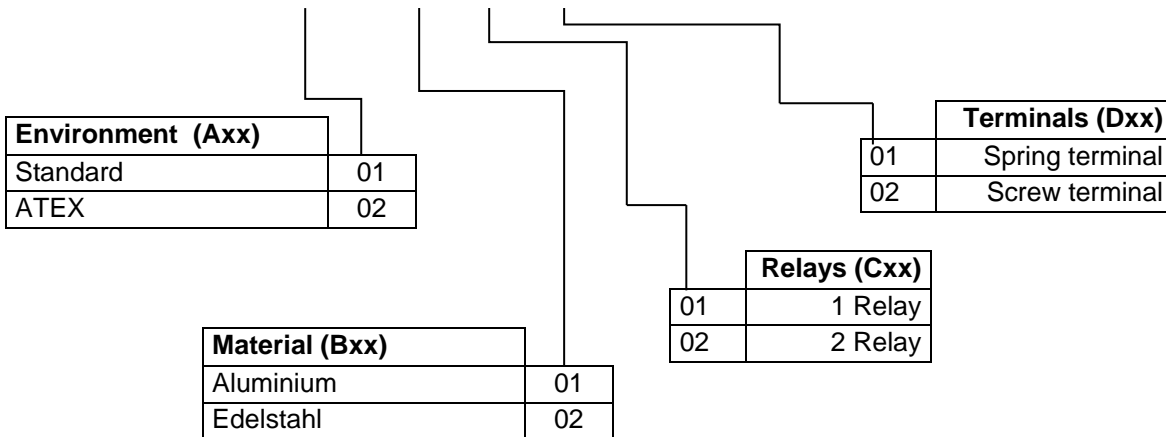
## SPECIFICATIONS

<b>Performance</b>	
Vibration Range (Select via DIP switch)	10, 20 or 50 mm/s RMS
Frequency Range	10 Hz...1000 Hz ( -3 dB )
Analog Output	4...+20 mA
Load Output	≤ 500 Ω
RAW-Signal	100 mV/g
RAW-Signal Load	≥ 20 kΩ
<b>Environment</b>	
Operating temperature range	-30°C...+70 °C
Storage temperature range	-40°C...+80 °C
Enclosure classification	IP 68 housing
EC – type Certificate No. (Housing) Rating	SIRA 14ATEX1107U Ex d IIC T6, Ex tD A21 T100°C
<b>Electrical</b>	
Sensor Type	Accelerometer
Power Required	20...+30 V <sub>DC</sub>
Current Draw	< 50 mA
Electrical Connectors	10x spring terminal, SPTA 1,5/10-3,81 (1,5mm <sup>2</sup> ) (option D 01) 10x screw terminals (option D 02)
<b>Relay</b>	
Switch Contact Capacity	UL 30VDC-1A / 65VDC-0,46A / 150VAC-0,46A
Relay Function	non-latching
Threshold Set Point	10%...100% of Alarm Set Point
Normally Energized (NE)	Fail safe
Time Delay	1sec or 5 sec
<b>Physical</b>	
Housing Material	Aluminum (option B 01), Epoxy paint RAL9006 grey Stainless Steel 1.4404 (SS 316) (option B 02)
Cable Connection	½" NPT, Brass (for A02 version) , IP66 SIRA 06 ATEX 1188 X SIRA 07 ATEX 4327 X ½" NPT, polyamide (for A01 version) , IP68
Weight	1.6 kg (Stainless Steel), 0.7 kg (Aluminum)
Size (height x width)	111 x 100 mm
Mounting Thread (using Adapter)	M12x1,75 15 mm deep

Indicators / Controls		
Alarm	LED	Yellow
Danger	LED	Red

**ORDERING CODE**

**VMD-CVS100-Axx-Bxx-Cxx-Dxx**



**Example:**

**VMD-CVS100-A01-B01-C01-D01**

- A01 = Standard version
- B01 = Aluminum housing
- C01 = 1 Relay
- D01 = Spring terminal

Subject to change without notice

**Sales Offices**

The complete list can be found on our webpage:  
[www.meggitt.com](http://www.meggitt.com)



Your local representative

**Meggitt GmbH**

Kaiserleistraße 51  
63067 Offenbach am Main  
Deutschland / Germany  
Tel.+49 (0) 69 9799050  
Fax +49 (0) 6997990526  
[info@de.meggitt.com](mailto:info@de.meggitt.com)  
[www.meggitt.com](http://www.meggitt.com)

