

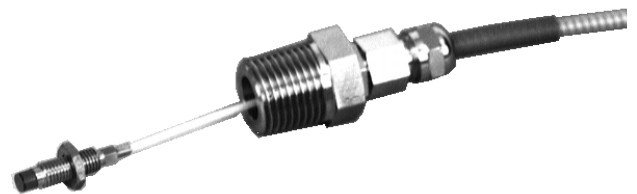


## Cable Feedthrough Type SG 101

### FEATURES

---

- For coaxial cable  $\varnothing$  0.7 –  $\varnothing$  2.7 mm and flexible metallic protective tube  $\varnothing$  5 –  $\varnothing$  7 mm
- Splash-proof feedthrough for cable and stainless steel protective tube
- Protection IP 68



### DESCRIPTION

---

To minimize installation costs and ensure proper functioning of proximity transducer systems it is recommended to use dedicated and reliable mounting accessories. The SG 101 cable feedthrough is composed of two stuffing glands to restrict movement of the coaxial cable and the flexible metallic protective

tube. It is used primarily to provide a splash-proof passage for the transducer integral cable through a machine casing.

The cable feedthrough can be supplied with a range of fitting adapters according to specific requirements.

## SPECIFICATIONS

---

### STUFFING GLAND ASSEMBLY

Material : Nickel-plated brass with Viton seal  
Mounting : See ordering information

### ADAPTERS

Material  
• *Option A01* : Nickel-plated brass with Viton seal  
• *Options A02-A05* : Stainless steel  
Mounting : See ordering information

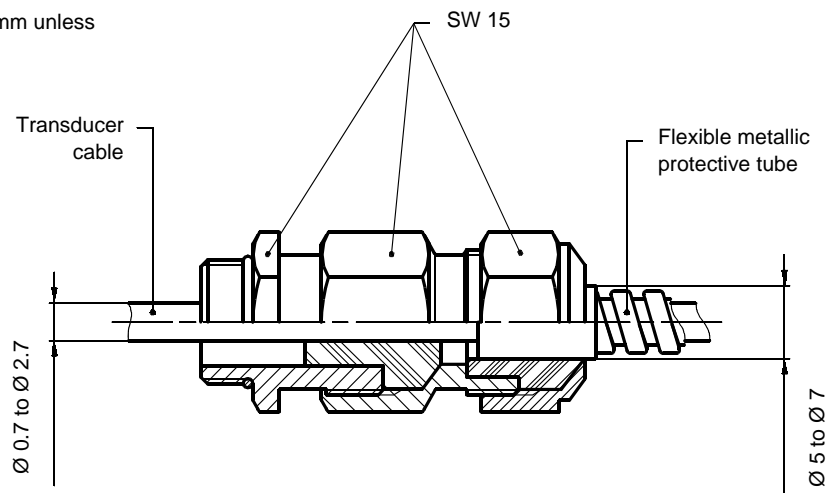
### ENVIRONMENTAL

Temperature range : -20°C to +200°C  
Protection class : IP 68

## DIMENSIONS

---

**Note:** All dimensions in mm unless otherwise specified.



### ORDERING INFORMATION

To order please specify :

Type and designation

: Cable Feedthrough type SG 101

Ordering number

: See below

Ordering number:  
800-101-000-001-A

XX			
00	M12 x 1.5		 Stuffing gland only
01	PG7		 Stuffing gland only
02	G1/2"		 Stuffing gland with adapter
03	R1/2"		 Stuffing gland with adapter
04	1/2" NPT		 Stuffing gland with adapter
05	3/4" NPTF		 Stuffing gland with adapter



In this publication, a dot (.) is used as the decimal separator and thousands are separated by spaces. Example : 12 345.678 90. Although care has been taken to assure the accuracy of the data presented in this publication, we do not assume liability for errors or omissions. We reserve the right to alter any part of this publication without prior notice.

#### Sales offices

Vibro-Meter has offices in more than 30 countries. For a complete list, please visit our website.

#### Your local agent

#### Head office

Vibro-Meter SA  
Rte de Moncor 4  
P.O. Box  
CH-1701 Fribourg  
Switzerland

Tel: +41 26 407 11 11  
Fax: +41 26 407 13 01

[www.vibro-meter.com](http://www.vibro-meter.com)

