



Cable Feedthrough Type SG 102

FEATURES

- ▶ For coaxial cable $\varnothing 2 - \varnothing 4$ mm and flexible metallic protective tube $\varnothing 6 - \varnothing 8$ mm
- ▶ Splash-proof feedthrough for cable and stainless steel protective tube
- ▶ Protection IP 68



DESCRIPTION

To minimize installation costs and ensure proper functioning of proximity transducer systems it is recommended to use dedicated and reliable mounting accessories. The SG 102 cable feedthrough is composed of two stuffing glands to restrict movement of the coaxial cable and the flexible metallic protective

tube. It is used primarily to provide a splash-proof passage for the transducer integral cable through a machine casing.

The cable feedthrough can be supplied with a range of fitting adapters according to specific requirements.

SPECIFICATIONS

STUFFING GLAND ASSEMBLY

Material : Nickel-plated brass with Viton seal
Mounting : See ordering information

ADAPTERS

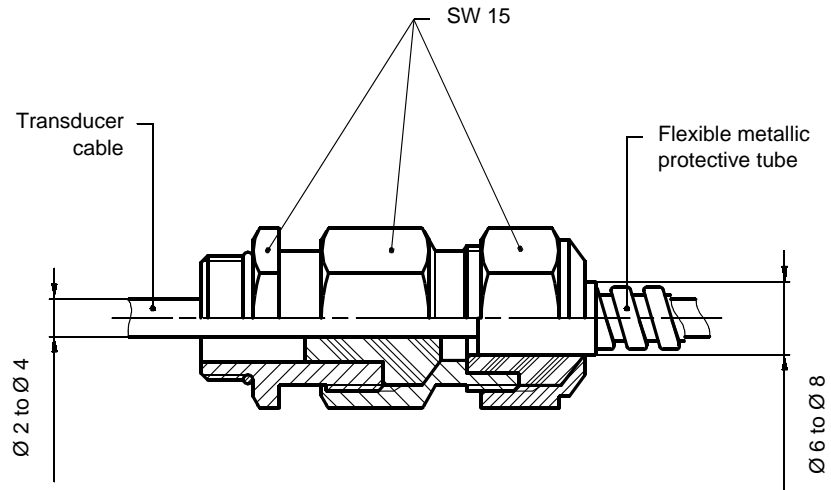
Material
• *Option A01* : Nickel-plated brass with Viton seal
• *Options A02-A05* : Stainless steel
Mounting : See ordering information

ENVIRONMENTAL

Temperature range : -20°C to +200°C
Protection class : IP 68

DIMENSIONS

Note: All dimensions in mm unless otherwise specified.



ORDERING INFORMATION

To order please specify :

Type and designation

: Cable Feedthrough type SG 102

Ordering number

: See below

Ordering number:
800-102-000-001-A

XX			
00	M12 x 1.5		
01	PG7		
02	G1/2"		
03	R1/2"		
04	1/2" NPT		
05	3/4" NPTF		

Stuffing gland only

Stuffing gland with adapter



In this publication, a dot (.) is used as the decimal separator and thousands are separated by spaces. Example : 12 345.678 90. Although care has been taken to assure the accuracy of the data presented in this publication, we do not assume liability for errors or omissions. We reserve the right to alter any part of this publication without prior notice.

Sales offices

Vibro-Meter has offices in more than 30 countries. For a complete list, please visit our website.

Your local agent

Head office

Vibro-Meter SA
Rte de Moncor 4
P.O. Box
CH-1701 Fribourg
Switzerland

Tel: +41 26 407 11 11
Fax: +41 26 407 13 01

www.vibro-meter.com

